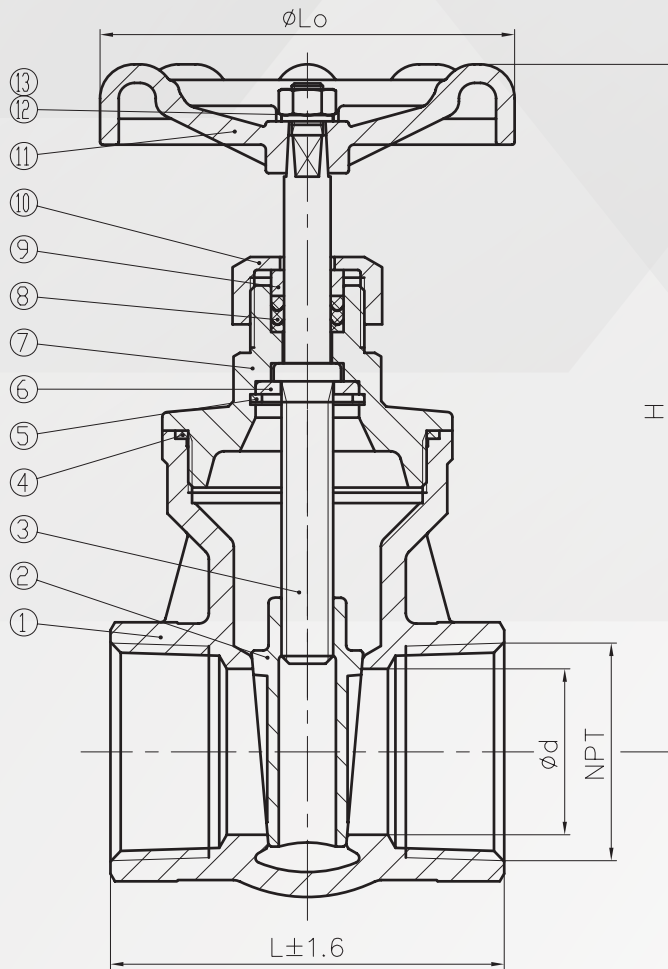


Installation, Operation, and Maintenance (IOM) Manual for Threaded Gate Valves



13	NUT
12	SPRING WASHER
11	HANDWHEEL
10	BONNET NUT
9	GLAND
8	PACKING
7	BONNET
6	WASHER
5	RING
4	GASKET
3	STEM
2	DISC
1	BODY

Refer to the diagram and parts list above for a detailed view of each component, assisting with installation, operation, and maintenance for optimal valve performance.



ANIX VALVE CO.LTD, Certified ISO 9001.

www.anixusa.com

Note: This manual provides guidance for the proper installation, operation, and maintenance of threaded gate valves to ensure efficient performance and long-lasting service. It includes general practices for safe usage, regular inspection, and potential troubleshooting. We are not liable for damages arising from its use. Consult a professional if you have specific concerns related to your application or environment. For additional assistance, contact your supplier or representative.

OPERATION

- To operate the threaded gate valve:
 - To Close: Turn the hand wheel in a clockwise direction.
 - To Open: Turn the hand wheel in a counterclockwise direction.

INSTALLATION

- **General Installation Guidelines**
 - **Preparation:** Before installing, make sure the pipes are thoroughly flushed to remove any debris, burrs, or welding residue. This prevents damage to the valve's internal surfaces and sealing areas.
 - **Orientation:** These valves can be installed in any orientation. However, use standard piping practices for optimal performance.
 - **Tension-Free Pipeline:** Ensure that the pipeline is free of undue tension to prevent any strain on the valve or connections.





ANIX VALVE CO.LTD, Certified ISO 9001.
www.anixusa.com

- **Threaded Connections**

- **Sealing:** For threaded valve ends, apply an appropriate sealant (such as PTFE tape) to the pipe threads to ensure a secure fit and prevent leakage.
- **Assembly:** Carefully screw the valve onto the pipeline connection without over-tightening. Excessive force can damage the valve threads or pipeline.

- **Welded Connections (If Applicable)**

- **Pipe Preparation:** For valves with weldable ends, ensure the pipe ends are clean and free of contaminants before welding.
- **Valve Positioning:** Position the valve in the open position while welding to protect the internal components from heat.
- **Cooling:** After welding, allow the valve and surrounding area to cool immediately to protect seals and packing material from high temperatures.
- **Temperature Monitoring:** Use a temperature indicator to ensure that the valve body and surrounding area do not exceed recommended temperatures during the process.

- **Preparation for Installation**

- Remove any temporary end protection and inspect for foreign materials.
- Clean the valve body with compressed air as needed to ensure a clean flow path.
- Ensure sufficient space around the valve for operation and maintenance access.

MAINTENANCE

- **Preparation for Installation**

- **Visual Checks:** Periodically inspect for any leaks, worn seals, or signs of damage to the valve body and sealing areas.
- **Leakage Prevention:** Tighten threaded connections if there are signs of leakage but avoid excessive force.



ANIX VALVE CO.LTD, Certified ISO 9001.
www.anixusa.com

- **Stem Seal Adjustment**

- If leakage is detected around the stem, adjust the bonnet nut (located under the hand wheel) slightly:
 - Adjust: Turn the bonnet nut about 1/8 turn.
 - Re-check: If leakage persists, further adjustments may be made. If leakage continues, replacement of the valve may be necessary.

- **Storage**

- Short-Term: Store valves in a dry area with protective coverings in place to prevent dust and moisture buildup.
- Long-Term: For prolonged storage, periodically inspect and clean the valve. Keep end covers on to protect internal surfaces.

- **Safety Precautions**

- Before handling the valve, release any residual pressure from the pipeline.
- Always wear protective gear, such as gloves, eye protection, and appropriate footwear, when installing or performing maintenance.
- If hazardous materials have been in contact with the valve, follow the safety data sheet (SDS) recommendations for handling residual media.

